



No Minimums! • Quick Ship Items! • Largest Color Selection in the World!



Flexible Moldings



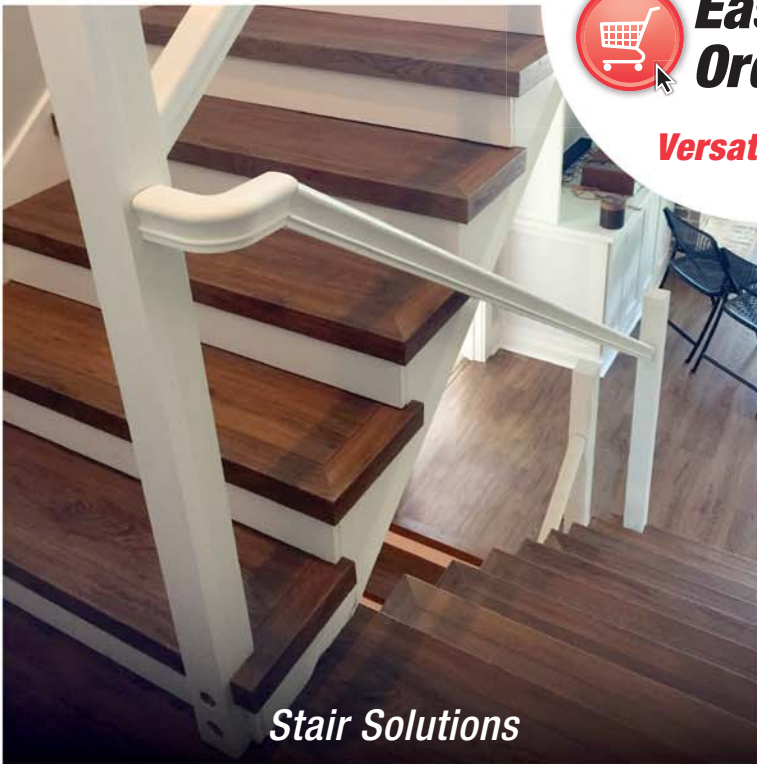
Coordinating Moldings



Call Toll Free:
1.866.200.8132

 **Easy Online Ordering**

Versatrim.com



Stair Solutions



Accessories

Inquire About How Versatrim Can Eliminate Your Inventory and Storage Needs.

Everything But the Floor!



ABOUT US

The Leading Molding Brand in North America!

Versatrim is an award-winning leader in the flooring industry, located outside of Raleigh, NC., that manufactures, sells, and distributes a complete line of custom coordinated floor moldings and trims for laminate and vinyl flooring.

Our innovative approach to molding solutions, and its ability to coordinate with most of the top colors in the vinyl, luxury vinyl tile, wood plastic vinyl, and laminate flooring industry, has guided us to the forefront as a leading manufacturer of floor moldings.

In addition to our core products, we have unique offerings that include flexible moldings, stair solutions, adhesive and a variety of accessories to help complete your flooring projects.

We've proudly been serving our customers for over 25 years. For additional information on our products and services please visit www.versatrim.com.

TABLE OF CONTENTS

About Us.....	1
How to Order.....	2
Product Highlights.....	3
CMP/Custom Colors.....	4
Standard Moldings.....	5
VersaFlex (Flexible Moldings).....	9
VersaCap (Matching Stair Solutions).....	11
White Stair Risers.....	12
Accessories/Hardware.....	13
Installs/Applications.....	15
Marketing Resources.....	17
Shipping Information.....	19
Pricing.....	21



versatrim.com





Order online at versatrim.com or call **1.866.200.8132**

How to Order

HOW TO ORDER

To Place an Order With Versatrim, please complete the following steps:

- Visit <http://versatrim.com/how-to-order>
- **Complete the 2 forms to establish your credit terms:**
 1. **Credit Application** – We also accept all major credit cards and certified checks in the event that you choose not to have open credit terms with us.
 2. **Company Contact Form** – This form will enable us to correctly identify your company, to expedite your orders and avoid mistakes.

Place Your Order 1 of 4 Ways:

- **Order Online** at versatrim.com and register for a personal account or business account by selecting the option on the top tool bar and follow the steps.
- **Fax in a Completed Order Form** – Go to versatrim.com/how-to-order, download an order form and fax completed form to 252.430.8801 or email it to orders@versatrim.com
- **Fax or Email Your Purchase Order from Your System** – Fax your PO to 252.430.8801 or email your PO to orders@versatrim.com
- **Call Us** – Contact Customer Service by calling **1.866.200.8132**, option 2

Return Policy:

All returns are subject to approval. Call your sales representatives for details.

MOLDING PROGRAM OPTIONS

We have a molding program to fit your needs! Talk to your Sales Representative for more information!

Stocking Inventory Program

Our Coordinating Moldings Program (CMP) provides flooring companies with custom trim that coordinates with their floors. We have partnered with many flooring companies and popular brands over the years and are a valuable resource for them. To learn more about our Coordinating Molding Program and explore the wide range of options available, scan the QR code provided at the top of the page.

Quick Ship Program

Versatrim offers 60 Quick Ship colors in 7 trim profiles, all ready-to-ship next business day! This program offers our lowest price point, and we provide on-line installation instruction, saving you both time and money. Our goal is to make sure you get a high-quality product at a reasonable price in a quick production time. Scan the QR code at the top of the page for additional detail and color options available.

Custom Color Program

Don't see a color in our Standard Stock colors that match your floor? No problem. Just send us the floor and we will create a custom color to coordinate with your moldings. Get started today by scanning the QR code at the top of the page.

Coordinating Molding Program (CMP)

We have partnered with many flooring companies and popular brands over the years and are a valuable resource for them. To learn more about our Coordinating Molding Program and explore the wide range of options available, talk to your Sales Representative or fill out a quick form by scanning the QR code at the top of the page to get started today!

Combo Option: CMP & Direct Ship/Stocking Program

Versatrim will create custom coordinations for the floors you send in which would be available for all to order. Once the coordination process is complete all floors would be added to our website www.versatrim.com. You could then begin stocking, ordering as needed, or submitting orders to direct ship to your customers. We can look at volume/special price programs if you intend to stock. Unless the order is for one of our quick ship program colors and profiles, you can expect a lead time of up to 4 weeks for any orders that are less than 30 pieces of the same shape and color to be shipped from our facility. Orders of 30 pieces or more of the same shape and color can take 4-6 weeks to ship.

Versatrim offers a limited number of free marketing materials and samples for all retailers, distributors, and manufacturers. Go to <http://versatrim.com/free-samples> more information on these options.

For all program options, please send your floors to our print department at the below address:

Versatrim, LLC
Attn: Print Department
101 Eastern Minerals Road
Henderson, NC 27537

Please contact your Versatrim Sales Representative for more details on any programs to accommodate all of your molding needs.



We have a molding program that meets your needs!

How to Order | 2

HOW TO ORDER

PRODUCT HIGHLIGHTS

PRODUCTS

APPLICATIONS

MARKETING ASSISTANCE

SHIPPING INFORMATION

PRICING

NEW PRODUCT HIGHLIGHTS

Versatrim is the leader in Trim Innovation.

With our continuous effort to provide our customers with innovative products, a molding adhesive that is perfect for installing your floors & trims, we are proud to offer beautiful primed-white quarter rounds & base shoes at an affordable price, and white stair risers to give your stair case an elegant look! Coming soon, we will introduce the NEW VersaCap Round profile to our popular matching stair solutions and Floor Vents! For more information on these exciting products, please contact your Sales Representative.

MOLDING ADHESIVE

The ONLY Molding Adhesive You'll Need!



This wet-set, early-grab, 12-hour curing formula is low-odor and easy-to-clean, leaving no surface residue or ghosting, even once dried. It provides an excellent bond for moldings.

10 oz. Cartridge

PRODUCT HIGHLIGHTS:

- No Shrink Formula
- High Strength, Waterproof
- Extremely Low VOC
- Covers roughly 15-20 Lin. Ft. depending on application and bead size
- No Surface Residue
- 12-Hour Cure Time

Ships FREE with Any Molding Order*

*\$8.50 Flat rate shipping for adhesive only orders. For lower 48 Continental United States only. Please inquire with your Sales Rep for Alaska, Hawaii, or any other freight quotes.

See page 14 for more info.

10" SAW BLADES

Our high quality 10" Saw Blade is ideal for floor moldings and is designed for ultra smooth cross cutting on a table saw or miter saw. **FREE SHIPPING** on all Saw Blades!**



NEW!

PRODUCT HIGHLIGHTS:

- High quality carbide tipped teeth for smoother cuts & longer life
- 80 Teeth Alternate Bevel (ATB) tooth geometry specifically for fine crosscuts
- Wide range of applications, wood plywood, MDF, HDF & even some non-ferrous metals like aluminum
- Specifically tested and endorsed for all our trim products, including VersaCap & aluminum VEX
- Blade can be sharpened as needed for long life & superior performance
- Heat Resistant Non-Stick coating reduces gumming for easy cleanup & cleaner cuts

See page 22 for Pricing. **Standard Free Shipping



WHITE STAIR RISERS

Used to enhance stair landings.

Surface Material: High Quality TFL (Thermally Fused Laminate)

Material: Standard Particle Board

This product is excluded from our free shipping options.

Available Now!

PRODUCT HIGHLIGHTS:

- Ready to install with a durable TFL white finish
- Lightweight and non-warp particle board core
- Paintable surface***
- Available as a kit option for our VersaCap
- Available in 2 lengths: 46" & 96" and 2 thicknesses: 3/8" & 5/8"



White Stair Riser

VersaCap

3/8 or 5/8" Thick

7-1/4"

46"

3/8 or 5/8" Thick

7-1/4"

96"

***Requires a light sanding before painting

See page 12 for more info.

PRIMED WHITE QUARTER ROUNDS & BASE SHOES

Quarter Rounds & Base Shoes are used to conceal the space between the wall's baseboard and the flooring.

Surface Material: Primed Painted Surface

Core Material: Standard MDF

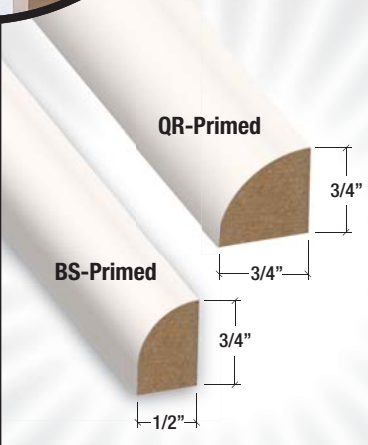
Length: 96" Long

Quantities: Factory direct skid quantities. Please inquire with your sales associate for details

This product is excluded from our free shipping options.

PRODUCT HIGHLIGHTS:

- 96" Length available in full skids/pallets only.
- 3/4" Height
- Primed and ready to paint



QR-Primed

BS-Primed

3/4"

3/4"

3/4"

1/2"

See page 7 for more info.

Order online at versatrim.com or call **1.866.200.8132**

Send Us Your Floor and We Will Create A Coordinating Trim. No Minimums! No Inventory!

COORDINATING MOLDINGS FOR THESE FLOORS & MORE:



HOW TO ORDER

PRODUCT HIGHLIGHTS

PRODUCTS

APPLICATIONS

MARKETING ASSISTANCE

SHIPPING INFORMATION

PRICING

We create coordinating moldings for YOUR floor! Call us for more details.



Product Details



TRANSITIONS:



Reducer – Available in both Standard and Moisture-Proof options!

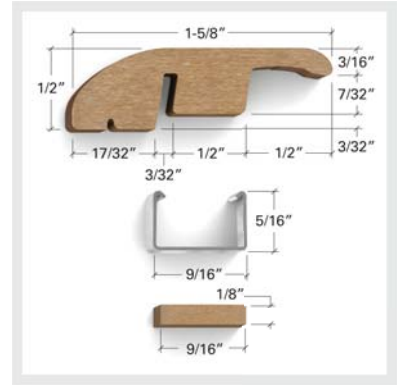
Reducers are used to transition between floors of different heights with a minimum height difference of 1/4" (6.35 mm).

Surface Material: High Wear Resistant Aluminum Oxide Laminate

Core Material: Our standard reducer molding is made of moisture-resistant MDF, while our Moisture-Proof variety is an exterior grade composite wood product.

Length: 94" Long

Floor Thickness*	Accessories Needed	Hardware Included
9/32"-15/32" (7-12 mm)	Versatrack- <i>Sold Separately</i>	None
15/32"-5/8" (12-16 mm)	Versatrack & Shim- <i>Sold Separately</i>	None



T-Molding – Available in both Standard and Moisture-Proof options!

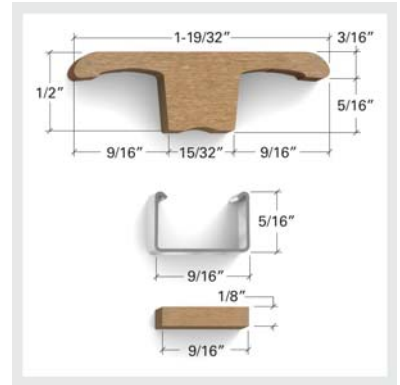
T-Moldings are commonly used in doorways to join two floors in adjoining rooms. Also recommended when making a transition from one floor to another that is approximately the same height.

Surface Material: High Wear Resistant Aluminum Oxide Laminate

Core Material: Our standard floor transition molding is made of moisture-resistant MDF, while our Moisture-Proof variety is an exterior grade composite wood product.

Length: 94" Long

Floor Thickness*	Accessories Needed	Hardware Included
5/16" (8 mm)	No Track or Shims (Glue Down)	None
23/64"-15/32" (9-12 mm)	Versatrack- <i>Sold Separately</i>	None
15/32"-19/32" (12-16 mm)	Versatrack & Shim- <i>Sold Separately</i>	None
19/32"-45/64" (15-18 mm)	Versatrack & 2 Shims- <i>Sold Separately</i>	None



End Cap – Available in both Standard and Moisture-Proof options!

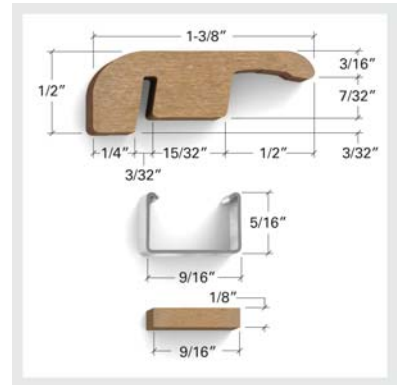
End Caps are used to transition from flooring to carpet, masonry (fireplaces), sliding doors and other exterior door jambs.

Surface Material: High-Wear Resistant Aluminum Oxide Laminate

Core Material: Our standard flooring end cap is made of moisture-resistant MDF, while our Moisture-Proof variety is an exterior grade composite wood product.

Length: 94" Long

Floor Thickness*	Accessories Needed	Hardware Included
9/32"-15/32" (7-12 mm)	Versatrack- <i>Sold Separately</i>	None
15/32"-5/8" (12-16 mm)	Versatrack & Shim- <i>Sold Separately</i>	None



OUR MOLDINGS ARE AVAILABLE AS WATERPROOF!

Information About Our Moisture Proof Material

- The core material is not considered 100% water proof. However, it is moisture, rot, and termite resistant.
- It is treated with zinc borate and manufactured with phenolic resins.
- It has no added urea formaldehyde.
- It is made using sustainable materials and contributes to industry green building programs.
- Caliper swell when saturated in water improves 1-1/2 to 5 times comparing our moisture proof core material to moisture resistant grade and typical MDF.
- In comparison to MDF in internal bucket testing, our moisture proof material exhibited substantially smaller edge cracks after exposure and air drying than typical MDF.



*All references to flooring thickness refer to the total thickness of all members of the floor installation being laid upon the subfloor. This typically is comprised of the flooring plank, e.g. Vinyl or Laminate, the underlayment, either attached or loose lay and any additional vapor barriers.



Warranties

Order online at versatrim.com or call **1.866.200.8132**



SlimTrim (3-in-1 Floor Molding)

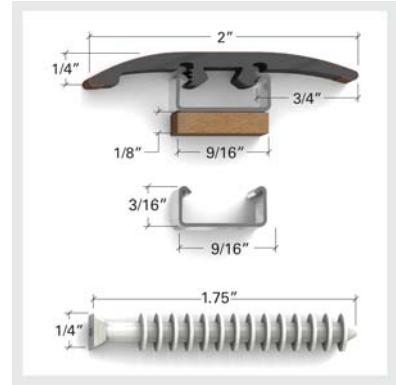
Our SlimTrim 3-in-1 Molding functions as a Reducer, T-Molding, and End Cap. It comes with SlimTrack & Versatrack Shim for floors up to 1/4" (6.35 mm) or dowels for floors up to 3/4" (19 mm).

Surface Material: High-Wear Resistant Aluminum Oxide Laminate

Core Material: PVC

Length: 94" Long

Floor Thickness*	Packaging Option Needed	Hardware Included
Under 1/8" (3 mm)	SLT-P33	No Hardware Included
Up to 1/4" (6.35 mm)	SLT-P29	Track & Shim
As a T-Molding: 1/4"-3/8" (6.35-9.5 mm)	SLT-P54	Track & 2 Shims
Up to 3/4" (19 mm)	SLT-P32	1 Tree of 8 Dowels
Up to 3/4" (19 mm)	SLT-P31	Track, Shim, & Dowels



SlimCap (PVC End Cap)

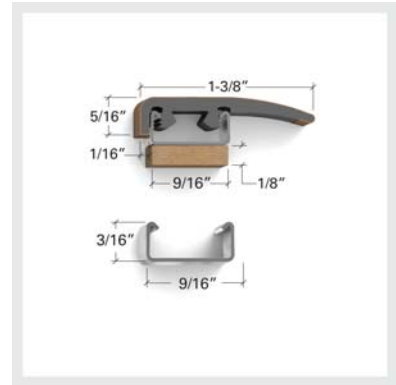
Low profile End Cap for floors up to 1/2" (12.7 mm).

Surface Material: High-Wear Resistant Aluminum Oxide Laminate

Core Material: PVC

Length: 94" Long

Floor Thickness*	Packaging Option Needed	Hardware Included
Up to 3/8" (9.5 mm)	SCAP-P29	Track & Shim
3/8"-1/2" (9.5-12.7 mm)	SCAP-P54	Track & 2 Shims



SlimTrim and SlimCap are available with an AC-5 rating. Please inquire with your Sales Representative for more details.



*All references to flooring thickness refer to the total thickness of all members of the floor installation being laid upon the subfloor. This typically is comprised of the flooring plank, e.g. Vinyl or Laminate, the underlayment, either attached or loose lay and any additional vapor barriers.

HOW TO ORDER

PRODUCT HIGHLIGHTS

PRODUCTS

APPLICATIONS

MARKETING ASSISTANCE

SHIPPING INFORMATION

PRICING



Product Details



SHOES & BASES



Quarter Round – Available in both Standard and Moisture-Proof options!

Quarter Rounds are used to conceal the required expansion space between the wall and the flooring.

Surface Material: Decorative Paper

Core Material: Our Standard quarter round is made of moisture-resistant MDF, while our Moisture-Proof variety is an exterior grade composite wood product.

Length: 94" Long



Base Shoe – Only available in White Paint Grade stock color

Base Shoes, like Quarter Rounds, are used to conceal the required expansion space between the wall and the flooring.

Surface Material: Decorative Paper

Core Material: Standard MDF

Length: 94" Long



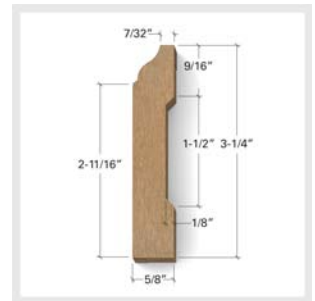
Wall Base

Base molding conceals the joint between an interior wall and the floor. Also used to protect the walls from scuffs and floor cleaning tools.

Surface Material: Decorative Paper

Core Material: Standard MDF

Length: 94" Long



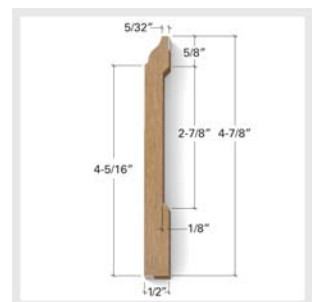
Colonial Base – Only available in White Paint Grade stock color

Extra tall Colonial Base molding conceals the joint between an interior wall and the floor. Also used to protect the walls from scuffs and floor cleaning tools.

Surface Material: Decorative Paper

Core Material: Standard MDF

Length: 94" Long



Quarter Round-Primed & Base Shoe-Primed

We offer our popular quarter round and base shoe profiles as primed white and ready-to-paint.

Surface Material: Primed Painted Surface

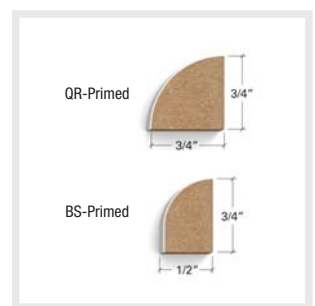
Core Material: Standard MDF

Length: 96" Long



Primed Qr & BS

Product	SKU Number	Length	Minimums to Order
Quarter Round-Primed	QR-Primed-96	96" Long	Pallet of 1,800
Base Shoe-Primed	BS-Primed-96	96" Long	Pallet of 2,700



*All references to flooring thickness refer to the total thickness of all members of the floor installation being laid upon the subfloor. This typically is comprised of the flooring plank, e.g. Vinyl or Laminate, the underlayment, either attached or loose lay and any additional vapor barriers.



Warranties

Order online at versatrim.com or call **1.866.200.8132**

STAIR SOLUTIONS:



Round Stair Nose (RSN)

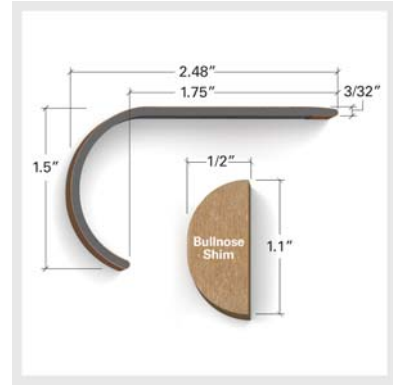
The Round Stair Nose combines style and function to enhance the beauty of a staircase or step. For use on flooring with an overall thickness of up to 3/4" (19 mm)*.

Surface Material: High-Wear Resistant Aluminum Oxide Laminate

Core Material: PVC

Length: 94" Long

Floor Thickness*	Install Type	Accessories Needed
1/16"-5/16" (1-8 mm)	Overlap	None
1/16"-3/4" (1-19 mm)	Overlap on Box Stair Case	Bull Nose Shim
3/32"-5/32" (2-4 mm)	Flush	None
3/16"-9/32" (5-7 mm)	Flush	VT-VE(X)-Shim-5- <i>Sold Separately</i>
5/16"-11/32" (8-10 mm)	Flush	VT-VE(X)-Shim-8- <i>Sold Separately</i>
1/2" (12 mm)	Flush	VT-VE(X)-Shim-12- <i>Sold Separately</i>



VersaEdge

The VersaEdge Stair Nose combines style and function to enhance the beauty of a staircase or step. For use on flooring with an overall thickness of up to 3/4" (19 mm)*.

Surface Material: High-Wear Resistant Aluminum Oxide Laminate

Core Material: PVC

Length: 94" Long

Floor Thickness*	Install Type	Accessories Needed
1/16"-3/4" (1-19 mm)	Overlap	None
3/32"-5/32" (2-4 mm)	Flush	None
3/16"-9/32" (5-7 mm)	Flush	VT-VE(X)-Shim-5- <i>Sold Separately</i>
5/16"-11/32" (8-10 mm)	Flush	VT-VE(X)-Shim-8- <i>Sold Separately</i>
1/2" (12 mm)	Flush	VT-VE(X)-Shim-12- <i>Sold Separately</i>



VersaEdge Extra Tall (VEX)

The VersaEdge Extra Tall Stair Nose is 1.5" tall to fit staircases or steps that require a longer overhang. For use on flooring with an overall thickness of up to 3/4" (19 mm)*.

Surface Material: High Wear Resistant Aluminum Oxide Laminate

Core Material: Aluminum

Length: 94" Long

Floor Thickness*	Install Type	Accessories Needed
1/16"-3/4" (1-19 mm)	Overlap	None
3/32"-5/32" (2-4 mm)	Flush	None
3/16"-9/32" (5-7 mm)	Flush	VT-VE(X)-Shim-5- <i>Sold Separately</i>
5/16"-11/32" (8-10 mm)	Flush	VT-VE(X)-Shim-8- <i>Sold Separately</i>
1/2" (12 mm)	Flush	VT-VE(X)-Shim-12- <i>Sold Separately</i>



Moisture Proof Stair Nose

The Moisture-Proof Stair Nose combines style and function to enhance the beauty of a staircase or step.

Surface Material: High-Wear Resistant Aluminum Oxide Laminate

Core Material: Exterior Grade Composite Wood Product.

Length: 94" Long

Floor Thickness*	Install Type	Accessories Needed
15/16" (8 mm)	Overlap	None
15/32" (12 mm)	Overlap	Versatrim Shim (VT-Shim)- <i>Sold Separately</i>



HOW TO ORDER

PRODUCT HIGHLIGHTS

PRODUCTS

APPLICATIONS

MARKETING ASSISTANCE

SHIPPING INFORMATION

PRICING

*All references to flooring thickness refer to the total thickness of all members of the floor installation being laid upon the subfloor. This typically is comprised of the flooring plank, e.g. Vinyl or Laminate, the underlayment, either attached or loose lay and any additional vapor barriers.



VersaFlex



VERSAFLEX

by Versatrim®

Flexible Moldings in 7 Shapes!

Stainable & Paintable!

End Cap

T-Molding

Reducer



3/4" Quarter Round

1/2" Base Shoe

3-1/4" Wall Base*

4-7/8" Colonial Base*

*Special Order Item. Longer Lead Times May Apply.



Warranties

Order online at versatrim.com or call **1.866.200.8132**

VERSAFLEX: FLEXIBLE MOLDINGS

Material: Polyurethane Composite Material

Surface: Stainable and Paintable

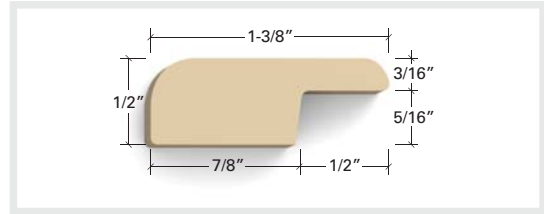
Length: 94" Long



VersaFlex End Cap

End Caps are used to transition from laminate to carpet, masonry (fireplaces), sliding doors and other exterior door jambs.

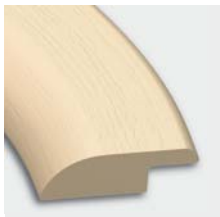
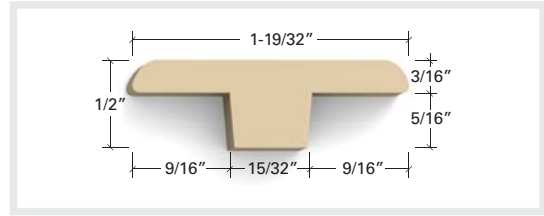
Available In: **1020336** – Oak Wood Grain



VersaFlex T-Molding

T-Moldings are commonly used in doorways to join two laminate floors in adjoining rooms. Also recommended when making a transition from one floor to another floor that is approximately the same height

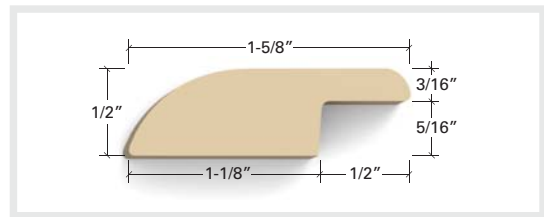
Available In: **1020336** – Oak Wood Grain



VersaFlex Reducer

Reducers are used to transition between floors of different heights with a minimum height difference of 1/4" (6.35 mm).

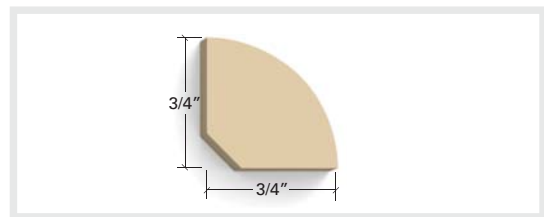
Available In: **1020336** – Oak Wood Grain



VersaFlex Quarter Round

Quarter Rounds are used to conceal the required expansion space between the wall and the flooring.

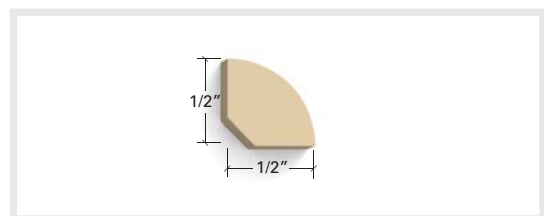
Available In: **1020335** – Paint Grade (No Grain)
1020336 – Oak Wood Grain



VersaFlex Base Shoe

Base Shoes, like Quarter Rounds, are used to conceal the required expansion space between the wall and the flooring.

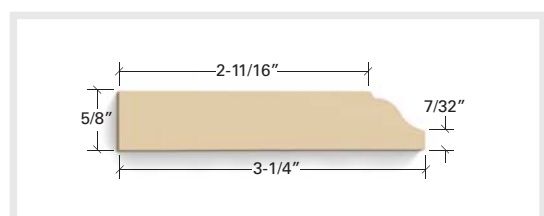
Available In: **1020335** – Paint Grade (No Grain)
1020336 – Oak Wood Grain



VersaFlex Wall Base *Special Order Item. Longer Lead Times May Apply.*

Base moldings conceal the joint between an interior wall and the floor. Also used to protect the walls from scuffs and floor cleaning tools.

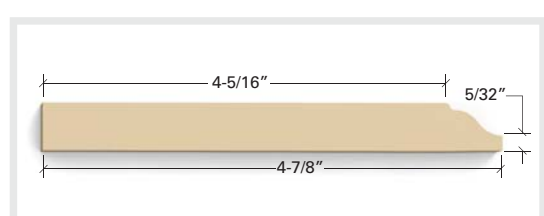
Available In: **1020335** – Paint Grade (No Grain)
1020336 – Oak Wood Grain



VersaFlex Colonial Base *Special Order Item. Longer Lead Times May Apply.*

Colonial Base molding conceals the joint between an interior wall and the floor. Also used to protect the walls from scuffs and floor cleaning tools.

Available In: **1020335** – Paint Grade (No Grain)
1020336 – Oak Wood Grain



HOW TO ORDER

PRODUCT HIGHLIGHTS

PRODUCTS

APPLICATIONS

MARKETING ASSISTANCE

SHIPPING INFORMATION

PRICING

**ASK YOUR
SALES REP FOR
A VERSACAP
CATALOG
TODAY!**

VERSATRIM®
The Leading Molding Brand in North America

VERSACAP

ALWAYS FLUSH & ALWAYS A PERFECT MATCH

**#1 Source for
Stair Solutions!**

MATCHING STAIR SOLUTIONS

Caps Are Made With Your Actual Flooring to Perfectly Match!

The VersaCap is used to create matching, flush stair treads & returns that perfectly match your floor to give your staircase an elegant cohesive look.

VersaCap is available in two profile types depending on your flooring and project needs:

- **VersaCap Edge** - The Edge has a low profile height of 1-7/8"
- **VersaCap Square** - The Square a taller profile height of 2-3/8"

Order your flooring plank to complete your tread! Available with a cap purchase only and will be cut to the size of the cap.

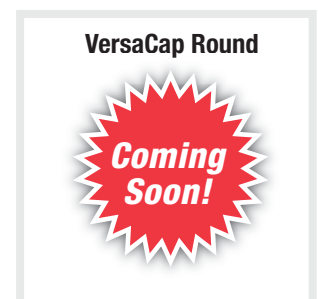
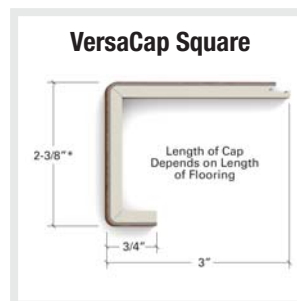
Lead Time: Approximately 15 business days

1 Piece Minimum per order

VersaCaps are made-to-order: Once an order is placed it cannot be canceled and the product cannot be returned.



VersaCap



WHITE STAIR RISERS



White Stair Risers

Used to enhance stair landings. Our white stair risers comes in high quality TFL cabinet finish that is highly durable, and easy cleanable. No need to paint it white. It is also paintable if you prefer another color.

Surface Material: High Quality TFL (Thermally Fused Laminate)

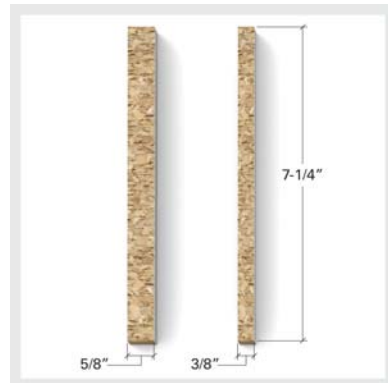
Core Material: Standard Particle Board

Thickness: Our risers come in 2 thicknesses: 3/8" and 5/8"

Length: Comes in 2 lengths: 46" and 96" Long

This product is excluded from our free shipping options.

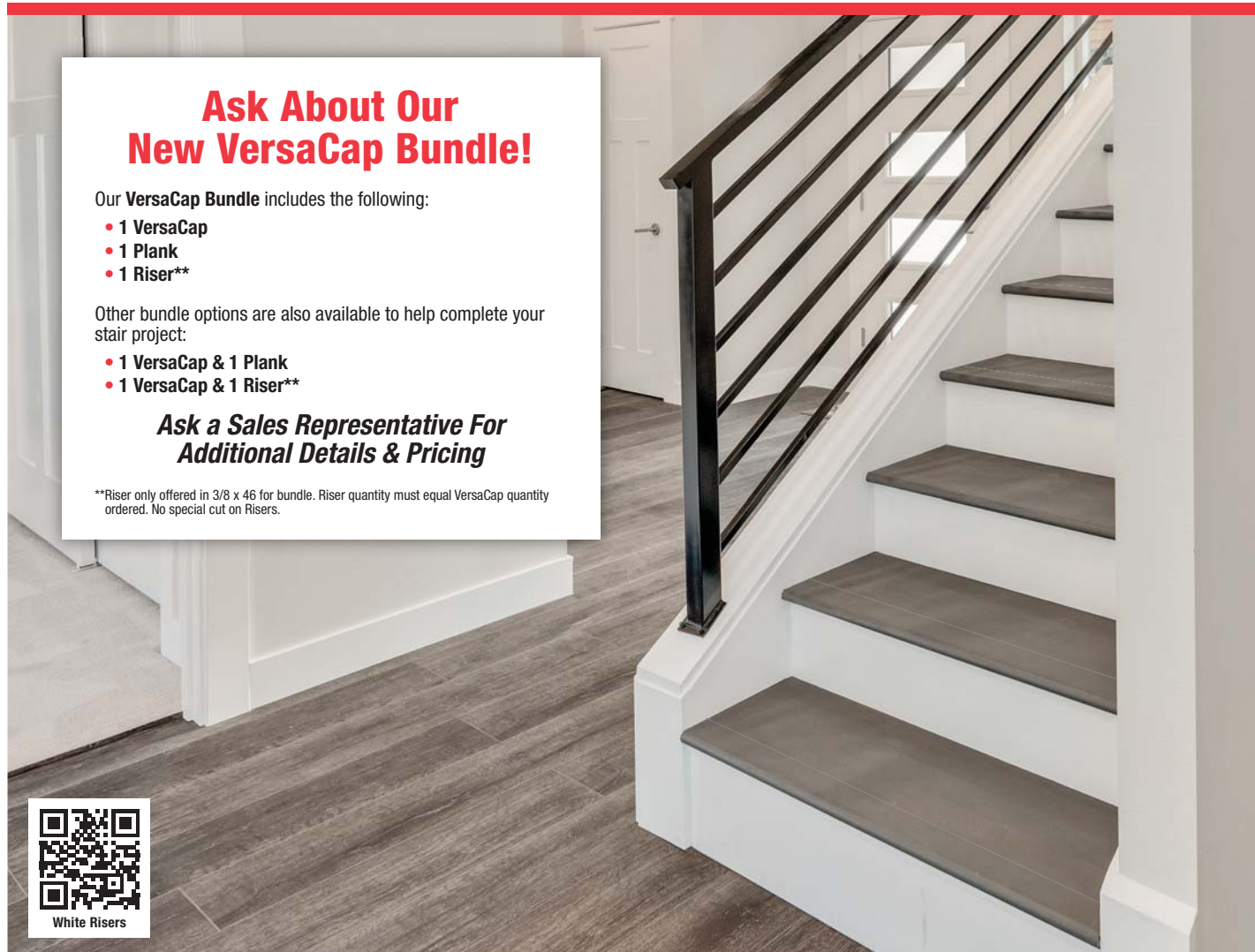
46" Risers ship in bundles of 4 or individually with a VersaCap order. 96" Risers are sold by the pallet (min of 100 pcs.) and ship LTL only.



PRODUCT HIGHLIGHTS:

- Ready to install with a durable TFL white finish
- Lightweight and non-warp particle board core
- Paintable surface*
- Available as a bundle option for our VersaCap (See details below).

*Requires a light sanding before painting



Ask About Our New VersaCap Bundle!

Our **VersaCap Bundle** includes the following:

- 1 VersaCap
- 1 Plank
- 1 Riser**

Other bundle options are also available to help complete your stair project:

- 1 VersaCap & 1 Plank
- 1 VersaCap & 1 Riser**

Ask a Sales Representative For Additional Details & Pricing

**Riser only offered in 3/8 x 46 for bundle. Riser quantity must equal VersaCap quantity ordered. No special cut on Risers.



White Risers

HOW TO ORDER

PRODUCT HIGHLIGHTS

PRODUCTS

APPLICATIONS

MARKETING ASSISTANCE

SHIPPING INFORMATION

PRICING



Product Details



ACCESSORIES for Transition Moldings:



Dowel Tree

To be used with SlimTrim for floors up to 3/4" (19 mm)*. Comes as a tree of 8 dowels. One tree covers one 94" long Slim Trim molding with each dowel spaced approximately 12" apart and 1" from each end.

Material: High Density Polyethylene

Included with SlimTrim-P32

FOR USE WITH:

- SlimTrim



SlimTrack

At Versatrim, we designed our SlimTrack to perfectly fit our SlimTrim and SlimCap solutions, so you can have the same molding on thin floors up to 1/8" (3 mm) in thickness, as you would any other floor. To be used in conjunction with the Versatrack Shim with thicknesses of 1/8" (3 mm) to 1/4" (6.35 mm).

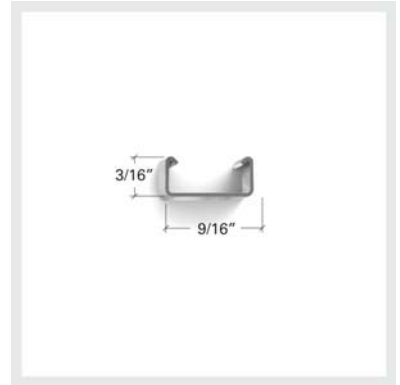
Material: Cold Roll Steel

Length: 94" Long

Included with SlimTrim-P29 and SlimTrim-P54

FOR USE WITH:

- SlimTrim
- SlimCap



Versatrack (Metal Track)

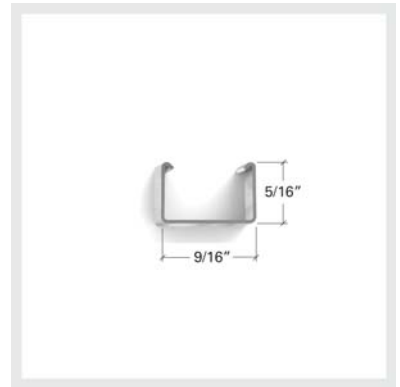
To be used with T-Molding for floors from 23/64"-15/32" (9-12 mm)** thickness and Reducer & End Cap for floors from 9/32"-15/32" (7-12 mm)** thickness. Can also be used with T-Molding in conjunction with the Versatrack shim for floors from 15/32"-45/64" (12-18 mm)** thickness and with Reducer & End Cap in conjunction with the Versatrack shim for floors from 15/32"-5/8" (12-16 mm)** thickness.

Material: Cold Roll Steel

Length: 94" Long

FOR USE WITH:

- T-Molding
- Reducer
- End Cap



Versatrack Shim

To be used with T-Molding in conjunction with the Versatrack for floors from 15/32"-45/64" (12-18 mm)* thickness and with Reducer & End Cap in conjunction with the Versatrack for floors from 15/32"-5/8" (12-16 mm)* thickness. Our Versatrack Shim was also designed to be used with our SlimTrim for floors up to 9.5 mm and our SlimCap for floors up to 12.7 mm.

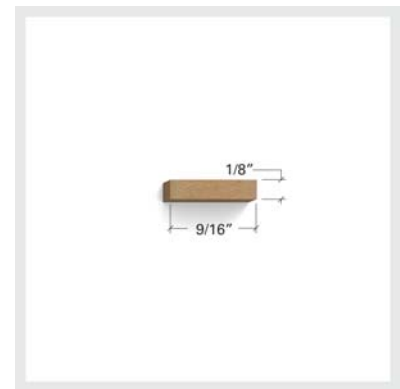
Material: Standard HDF

Length: 94" Long

1 Included with SlimTrim-P29 and 2 included with SlimTrim-P54

FOR USE WITH:

- T-Molding
- Reducer
- End Cap
- SlimTrim
- SlimCap



*All references to flooring thickness refer to the total thickness of all members of the floor installation being laid upon the subfloor. This typically is comprised of the flooring plank, e.g. Vinyl or Laminate, the underlayment, either attached or loose lay and any additional vapor barriers.

**For floors thicker than 45/64" (18 mm)* for T-Molding and 5/8" (16 mm)* for Reducer & End Cap, please contact our team of customer service representatives for assistance in choosing the right reducer molding for your project.



Warranties

Order online at versatrim.com or call **1.866.200.8132**

ACCESSORIES for Stair Solutions:



Versatrim Shim (VT Shim)

Used to raise the landing Stair Nose when used for 3/8-1/2" (9.5-12.7 mm) Flooring.

Material: MDF/HDF

Length: 94" Long

FOR USE WITH:

- *Stair Nose*



VT-VE(X)-Shims

This Versatrim shim is available for optional use with our Round Stair Nose molding (RSN) and VersaEdge for flush installations. We carry a variety of sizes to fit your needs, including Shim-5 for 5-7 mm* floors, Shim-8 for 8-10 mm floors*, and Shim-12 for 12 mm* floors.

Material: MDF/HDF

Length: 94" Long

FOR USE WITH:

- *VersaEdge*
- *VersaEdge Extra Tall*
- *Round Stair Nose*



Bullnose Shim

Our Bullnose Shim is to be used to install our Round Stair Nose molding (RSN), specifically on box staircases, to create a stabilized, rounded step.

Material: Standard MDF

Length: 94" Long

FOR USE WITH:

- *Round Stair Nose*



Molding Adhesive by Versatrim

The only molding adhesive you'll need! This wet-set, early-grab, 12-hour curing formula is low-odor and easy-to-clean, leaving no surface residue or ghosting, even once dried. It provides an excellent bond for moldings.

FOR USE WITH:

- *All moldings, trim & stair solutions*

- No Shrink Formula
- High Strength, Waterproof
- Extremely Low VOC
- Covers roughly 15-20 Lin. Ft. depending on application and bead size.
- No Surface Residue
- 12-Hour Cure Time

HOW TO ORDER

PRODUCT HIGHLIGHTS

PRODUCTS

APPLICATIONS

MARKETING ASSISTANCE

SHIPPING INFORMATION

PRICING

*All references to flooring thickness refer to the total thickness of all members of the floor installation being laid upon the subfloor. This typically is comprised of the flooring plank, e.g. Vinyl or Laminate, the underlayment, either attached or loose lay and any additional vapor barriers.



Technical Details



APPLICATIONS*

This is how the Versatrim molding covers 9/32-45/64" (7-18mm) Flooring. The answer to the problem is a program of moldings designed to work with a metal track.

End Cap, Reducer, and T-Molding

Versatrim Floors 9/32-15/32" (7-12mm)**
End Cap Flooring Carpeting **Reducer** Flooring
 Metal Track Sub Floor

Versatrim with Shim Floors 15/32-5/8" (12-16mm)**
End Cap Flooring Carpeting **Reducer** Flooring
 Metal Track Shim Sub Floor

Versatrim Floors 23/64-15/32" (9-12mm) Without Track for 5/16" (8mm)****
T-Molding Metal Track Sub Floor

Versatrim with Shim Floors 15/32-19/32" (12-15mm)**
T-Molding Track Shim Sub Floor

Versatrim with 2 Shim Floors 19/32-45/64" (15-18mm)**
T-Molding Track 2 Shims Sub Floor

SlimCap (PVC End Cap)

SlimTrack Floors Up to 3/16" (0-4.5mm)**
 Carpeting SlimTrack

SlimTrack & Shim Floors 3/16-3/8" (4.5-9.5mm)**
 Shim SlimTrack

SlimTrack & 2 Shims Floors 3/8-1/2" (9.5-12.7mm)**
 2 Shims SlimTrack

VersaEdge, VersaEdge Extra Tall, and Round Stair Nose (RSN)

VersaEdge and VersaEdge Extra Tall Stair Nose covers floors up to an overall thickness of 3/4" (19mm) and RSN covers floors up to an overall thickness of 12mm.

VersaEdge & VEX

Overlap Install

"Locked-Down" Install
 Used where floating of the floor is not required, as with Stair Tread or Glued-Down/Nailed-Down floors. This can be used on floating floors where expansion and contraction will occur on the opposite side of the flooring plane.

"Floating" Install
 Used where floating of the floor is required.

Flush Install

"Locked-Down" Install
 Used where floating of the floor is not required, as with Stair Tread or Glued-Down/Nailed-Down floors. This can be used on floating floors where expansion and contraction will occur on the opposite side of the flooring plane. **Tongue side of plank MUST face the VersaEdge. VersaEdge, Shims, and flooring planks must be glued down to subfloor.**

Floors with an overall thickness of **2-3 mm****

Molding Adhesive (p. 14)
Add a little more adhesive to make the VersaEdge even with floor

Floors with an overall thickness of **4 mm****

Molding Adhesive (p. 14)
Add a little more adhesive to make the VersaEdge even with floor

Floors with an overall thickness of **5-12 mm****

VT-VE(X) Shim
(See Shim Guide below for which Shim to use with your floor)

Molding Adhesive (p. 14)

VT-VE(X)-Shim Guide

- VT-VE(X)-Shim-5 for 5-7 mm** Floors
- VT-VE(X)-Shim-8 for 8-10 mm** Floors
- VT-VE(X)-Shim-12 for 12 mm** Floors

Installation is the same for VersaEdge Extra Tall. VT-VE(X)-SHIMS are sold separately.

Round Stair Nose (RSN)

Overlap Install

"Locked-Down" Install
 Used where floating of the floor is not required, as with Stair Tread or Glued-Down/Nailed-Down floors. This can be used on floating floors where expansion and contraction will occur on the opposite side of the flooring plane.

"Floating" Install
 Used where floating of the floor is required.

"Lock-Down" on Box Staircase

Flush Install

"Locked-Down" Install
 Used where floating of the floor is not required, as with Stair Tread or Glued-Down/Nailed-Down floors. This can be used on floating floors where expansion and contraction will occur on the opposite side of the flooring plane. **Tongue side of plank MUST face the VersaEdge. VersaEdge, Shims, and flooring planks must be glued down to subfloor.**

Floors with an overall thickness of **2-3 mm****

Molding Adhesive (p. 14)
Add enough adhesive to make the Stair Nose even with floor

Floors with an overall thickness of **4 mm****

Molding Adhesive (p. 14)

Floors with an overall thickness of **5-12 mm****

Molding Adhesive (p. 14)

VT-VE(X)-Shim Guide

- VT-VE(X)-Shim-5 for 5-7 mm** Floors
- VT-VE(X)-Shim-8 for 8-10 mm** Floors
- VT-VE(X)-Shim-12 for 12 mm** Floors

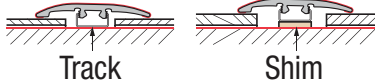
*The installation instructions shown on pages 15 & 16 are suggestions of how to install our moldings. Versatrim does not assume responsibility for any product failure or liability due to installations that are in violation of the flooring manufacturer's installation guidelines and/or warranties.
 **All references to flooring thickness refer to the total thickness of all members of the floor installation being laid upon the subfloor. This typically is comprised of the flooring plank, e.g. Vinyl or Laminate, the underlayment, either attached or loose lay and any additional vapor barriers.

SlimTrim on LVT Floors

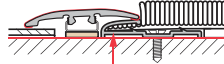
1 Reducer:
Up to 1/4"
(0-6.35*mm)**



2 Transition:
1/16 to 1/8"
(1.6-3mm)** 1/8-1/4"
(3-6.35*mm)**



3 End Cap: *Hard Surface to Carpet*
Up to 1/4"
(0-6.35*mm)**

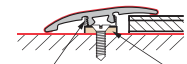


Carpet Tap Down Trim

A Carpet Tap Down Trim **MUST** Be Used When Installing SlimTrim on Carpet.

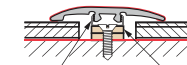
SlimTrim on WPC Floors

1 SlimTrim-P29
as a **Reducer**
1/4-3/8"
(6.35*-9.5mm)**



SlimTrack Shim

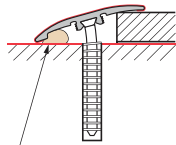
2 SlimTrim-P54
as a **Transition**
1/4-3/8"
(6.35*-9.5mm)**



SlimTrack **2** Shims

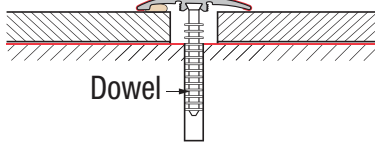
SlimTrim on Laminate Floors

1 Reducer:
Up to 3/4"
(0-19mm)**



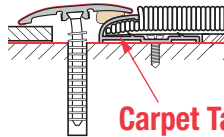
Must Be Glued to Non-Floating Surface

2 Transition:
Up to 3/4"
(0-19mm)**



Dowel

3 End Cap: *Hard Surface to Carpet*
Up to 3/4"
(0-19mm)**

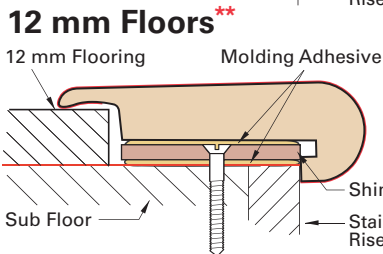
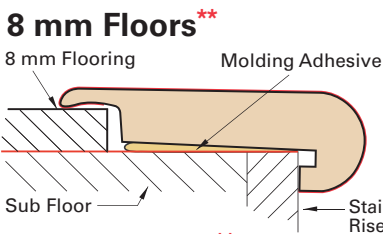


Carpet Tap Down Trim

Moisture Proof Stair Nose, Quarter Round, Base Show, Wall Base and Colonial Base Installation

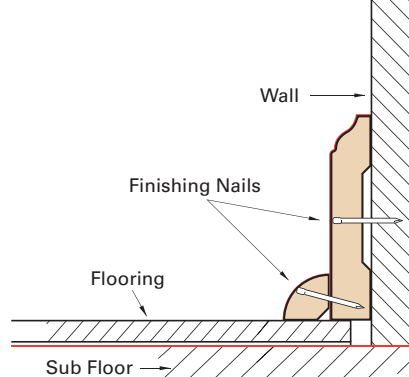
Our Moisture Proof Stair Nose works with 8mm and 12 mm Floors**. Our bases are easy to install and can be used in any combination of the two.

Moisture Proof Stair Nose

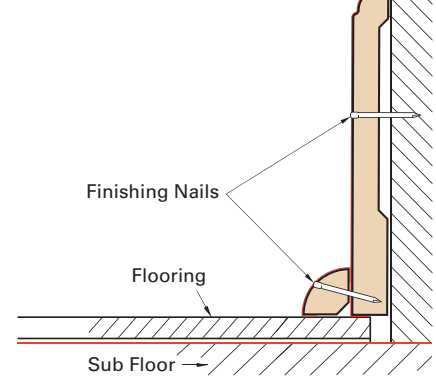


Quarter Round, Base Shoe, & Bases

Wall Base with Quarter Round or Base Shoe



Colonial Base with Quarter Round or Base Shoe



Need Help Installing? Go to:
www.versatrim.com/technical-specifications

This site is provided as a convenience to our customers for simple Versatrim step-by-step installation instructions as PDFs and easy to follow videos.



*For floors thicker than 1/4" (6.35mm), use dowel installation.
**All references to flooring thickness refer to the total thickness of all members of the floor installation being laid upon the subfloor. This typically is comprised of the flooring plank, e.g. Vinyl or Laminate, the underlayment, either attached or loose lay and any additional vapor barriers.



Marketing



MARKETING ASSISTANCE

Standard Color Book

Our 3.75" x 8" color book fits conveniently in a pocket, drawer, or glove compartment and is handy any time you need to match our moldings to your floor. The book represents all standard stock colors.



Standard Molding Profile Chain

The Versatrim Sample Chain represents most of our molding profiles and accessories: Slim Track, VersaTrack Shim, Slim Cap, Slim Trim, VersaEdge, VersaEdge Extra Tall, Round Stair Nose, Quarter Round, End Cap, Reducer, T-Molding, Versatrack, Wall Base.



VersaFlex Profile Chain

The VersaFlex Profile Chain represents 5 out of our 7 flexible molding profiles: Reducer, T-Molding, End Ca, Quarter Round, and Base Shoe. The Wall Base and Colonial Base are special order items that require longer lead times and are not included on the sample chain.



Free samples are for flooring businesses only.

Display Board

Our 12" x 42" display board features the 8 Coordinating Moldings profiles: Slim Trim, Slim Cap, VersaEdge, Round Stair Nose, Quarter Round, Moisture Proof End Cap, Moisture Proof Reducer, and Moisture Proof T-Molding.



VersaCap 6 Inch Sample Piece

Our 6" long VersaCap sample pieces are easy to handle and are available in both Edge and Square. On the bottom of each sample is a label with product specs and dimensions. Our VersaCaps match your floor perfectly, because they are made from the actual flooring.



VersaCap Handheld Display

Our 7" (w) x 7" (d) x 2.5" (h) Handheld VersaCap Display demonstrates how our VersaCap Square will look installed on a staircase with a return.



Free samples are for flooring businesses only.

Get your **FREE** samples at www.versatrim.com.



Shipping



QUANTITIES

Standard Stock Moldings	Quantities Per Tube		Quantities Per Box (Pallets Only)	
	Pieces Per 3" Tube	Pieces Per 6" Tube	Pieces Per Box	Boxes Per Pallet
SlimTrim	8	34	5	220
SlimCap	10	35	5	220
T-Molding	10	45	10	140
Reducer	10	40	10	140
End Cap	12	50	10	140
RSN – Round PVC Stair Nose	4	30	5	220
VersaEdge – Standard	8	40	5	220
VersaEdge Extra Tall	6	35	5	220
Stair Nose	4	19	5	140
Wall Base	NONE	10	5	110
Colonial Base	NONE	7	4	133
Quarter Round	13	50	10	220
Base Shoe	30	110	20	220

VersaFlex Flexible Moldings	Pieces Per 3" Tube	Pieces Per 6" Tube	Pieces Per Box	Boxes Per Pallet
VersaFlex End Cap	12	50	1	150
VersaFlex T-Molding	10	45	1	150
VersaFlex Reducer	10	40	1	150
VersaFlex Quarter Round	13	50	1	150
VersaFlex Base Shoe	30	110	1	150
VersaFlex Wall Base	NONE	10	1	64
VersaFlex Colonial Base	NONE	7	1	40

Accessories	Pieces Per 3" Tube	Pieces Per 6" Tube	Pieces Per Box	Boxes Per Pallet
Versatrim Shim (VT-Shim)	30	120	25	220
VT-VE(X)-Shim-5	30	120	25	220
VT-VE(X)-Shim-8	12	55	10	220
VT-VE(X)-Shim-12	8	31	8	220
Versatrack Shim <small>Use with Versatrack and SlimTrack</small>	70	280	55	220
Versatrack	50	120	40	110
SlimTrack	80	140	50	110
Dowels - Tree of 8	NA	NA	1000	24
Bullnose Shim	12	50	10	220

Quantities may vary when packaging option selected.

No Minimums to Order

SHIPPING POLICY

Effective January 11, 2024

All shipping costs will be based on the actual order weight and shown on the order confirmation.

Please contact our customer service department for shipping charges for Hawaii, Alaska and any location outside the United States of America.

Transit Time

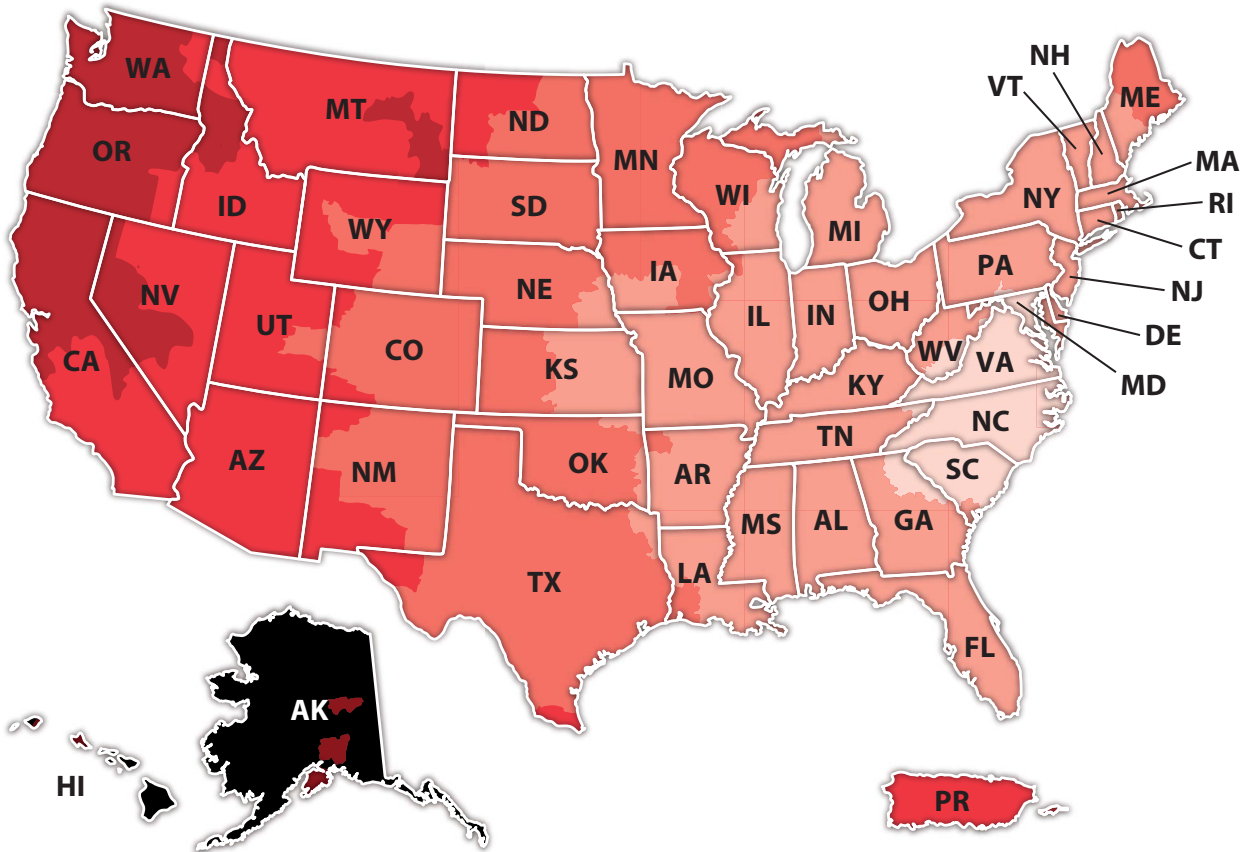
Transit times reflect **standard business days** which does not include Saturday or Sunday. **Saturday delivery may be available upon request at an additional cost.**

Lead times are for FedEx Ground Shipments. LTL Shipments with trucking companies have a similar transit time, for exact transit times please contact your sales associate.

Transit may take an additional day or two at times.

A \$5.00 Handling Fee Will Be Added to All Orders

Effective May 1, 2023



7 Days 6 Days 5 Days 4 Days 3 Days 2 Days 1 Day

HOW TO ORDER

PRODUCT HIGHLIGHTS

PRODUCTS

APPLICATIONS

MARKETING ASSISTANCE


SHIPPING INFORMATION

PRICING

Moldings

Price List

(FOB Henderson, NC)

		Standard Stock Colors		Custom Colors/ Coordinating Moldings		Coordinating Moldings		
Effective 1/01/24	Quantities		1 Piece		30 Pieces and Up***		1 to 29 Pieces	
	Lead Time*		Ships Next Business Day on Most Items**		Ships within 15 Business Days		Ships within 7 Business Days	
	Returns		Item is Returnable		Custom Product: Non-Returnable		Custom Product: Non-Returnable	
SLT P29		SlimTrim-P29 For Vinyl/LVT Floors Up to 6.35 mm (1/4")	Hardware Included		Hardware Included		Hardware Included	
SLT P31		SlimTrim-P31 For Vinyl/WPC/LVT/Laminate Up to 19 mm (3/4")	Hardware Included		Hardware Included		Hardware Included	
SLT P32		SlimTrim-P32 For Laminate Floors Up to 19 mm (3/4")	Hardware Included		Hardware Included		Hardware Included	
SLT P33		SlimTrim-P33 For Vinyl/LVT Floors Under 3 mm (1/8")	Hardware Included		Hardware Included		Hardware Included	
SLT P54		SlimTrim-P54 For WPC/LVT Floors 6.35 to 9.5 mm (1/4-3/8")	Hardware Included		Hardware Included		Hardware Included	
		Additional Dowel Tree Use with SlimTrim on Floors up to 19mm (3/4"). Contains 8 Dowels						
		Additional SlimTrack Use in conjunction with Versatrack Shim on SlimTrim for floors up to 9.5 mm (3/8") and SlimCap for floors up to 12.7mm (1/2")						
		Additional Versatrack Shim Use with SlimTrack for SlimTrim on 3-9.5mm floors, and SlimCap on 5-12.7mm floors						
SCAP P29		SlimCap-P29 For Up to 9.5 mm (3/8") Floors	Hardware Included		Hardware Included		Hardware Included	
SCAP P54		SlimCap-P54 For 10 to 12.7 mm (3/8" to 1/2") Floors	Hardware Included		Hardware Included		Hardware Included	
RSN		RSN Round PVC Stair Nose						
		Bullnose Shim Use with RSN for installation on Box Staircases						
VE		VersaEdge Stair Nose 1" Height						
VEX		VersaEdge Extra Tall Stair Nose 1.5" Height						
		VT-VE(X)-Shim-5 For VE, RSN, or VEX for Optional Flush install on 5-7 mm floors						
		VT-VE(X)-Shim-8 For VE, RSN, or VEX for Optional Flush install on 8 mm floors						
		VT-VE(X)-Shim-12 For VE, RSN, or VEX for Optional Flush install on 12 mm floors						
EC		End Cap Hardware not included	Standard	Moisture Proof	Standard	Moisture Proof	Moisture Proof Only	
TM		T-Molding Hardware not included	Standard	Moisture Proof	Standard	Moisture Proof	Moisture Proof Only	
RD		Reducer Hardware not included	Standard	Moisture Proof	Standard	Moisture Proof	Moisture Proof Only	
		Versatrack - OPTIONAL For Reducer, T-Molding, & End Cap on 6-9.5 mm floors						
		Versatrack Shim - OPTIONAL Use with Versatrack for Reducer, T-Molding, & End Cap on 9.5-12.7 mm floors						
MRSN		Moisture Proof Stair Nose	Moisture Proof		Moisture Proof		Moisture Proof	
		Versatrim Shim (VT-Shim) For Moisture Proof Stair Nose on 12 mm floors - OPTIONAL						
WB		Wall Base 3.25" High					NA	
CB		Colonial Base 4.875" High	Available in White Paint Grade Only		NA		NA	
QR		Quarter Round Available in Standard or Moisture Proof	Standard	Moisture Proof	Standard	Moisture Proof	Standard	Moisture Proof
BS		Base Shoe	Available in White Paint Grade Only		NA		NA	

**Contact Your
Sale Representative
For Pricing!**

1.866.200.8132

All Moldings are 94" Long

*Visit versatrim.com for lead time information.

**Stock Color VersaEdge Extra Tall, SlimCap, Round Stair Nose, and Moisture Proof Moldings (Reducer, End Cap, T-Molding, Stair Nose & Quarter Round) are made to order and are non-returnable.

***Customer is expected to accept & pay for a 10% over or under run on Custom Color moldings.

Terms: Our Credit Application form is available at versatrim.com/how-to-order.

Pricing Subject to Change / Cancellation Fee Could Apply

Order online at versatrim.com or call **1.866.200.8132**

VersaFlex

Price List

(FOB Henderson, NC)

		120335 Paint Grade (No Grain)	120336 Oak Wood Grain
Effective 1/11/24	Quantities	1 Piece	1 Piece
	Lead Time	1 to 2 Business Days on Most Items*	1 to 2 Business Days on Most Items*
	Returns	Item is Returnable	Item is Returnable
VFXL VFXE VFXM VFXR VFXS VFXW VFXB VFXC VFXD VFXE VFXF VFXG VFXH VFXI VFXJ VFXK VFXL VFXM VFXN VFXO VFXP VFXQ VFXR VFXS VFXT VFXU VFXV VFXW VFXX VFXY VFXZ	 VersaFlex Cap	NA	
	 VersaFlex T-Molding	NA	
	 VersaFlex Reducer	NA	
	 VersaFlex Quarter Round		
	 VersaFlex Base Shoe		
	 VersaFlex Wall Base*		
 VersaFlex Corner			

**Contact Your
Sale Representative
For Pricing!**

All Moldings are 94" Long
Follow lead times above.

*VersaFlex Wall Base and VersaFlex Colonial Base are Special Order Items and are subject to longer lead times.

Molding Adhesive

Price List

Effective 1/01/24
(FOB Henderson, NC)

		Per Tube	Case of 12 Tubes
	Molding Adhesive**	Per 1 Ten oz. Tube	Case of 12 Ten oz. Tubes

**Ships free with any molding order. \$8.50 shipping and handling fee will apply for adhesive only orders. For lower 48 Continental United States Only.

White Stair Rise **1.866.200.8132**

Price List

Effective 1/01/24
(FOB Henderson, NC)

		46" Long	96" Long (Ships LTL Only)
	3/8 Thick TFL Stair Rise	Sold by the Pallet (Min 100 pcs)	Sold by the Pallet (Min 100 pcs)
	5/8 Thick TFL Stair Rise	Sold by the Pallet (Min 100 pcs)	Sold by the Pallet (Min 100 pcs)

**ASK ABOUT
OUR NEW
PRODUCTS!**

Primed Products

Price List

Effective 1/01/24
(FOB Henderson, NC)

	Primed Quarter Round Sold by the Pallet (Min 100 pcs)	96" Long	Primed Products Are Available in Full Pallets Only!
	Primed Base Shoe Sold by the Pallet (Min 100 pcs)	96" Long	

Saw Blades

Price List

Effective 3/01/24
(FOB Henderson, NC)

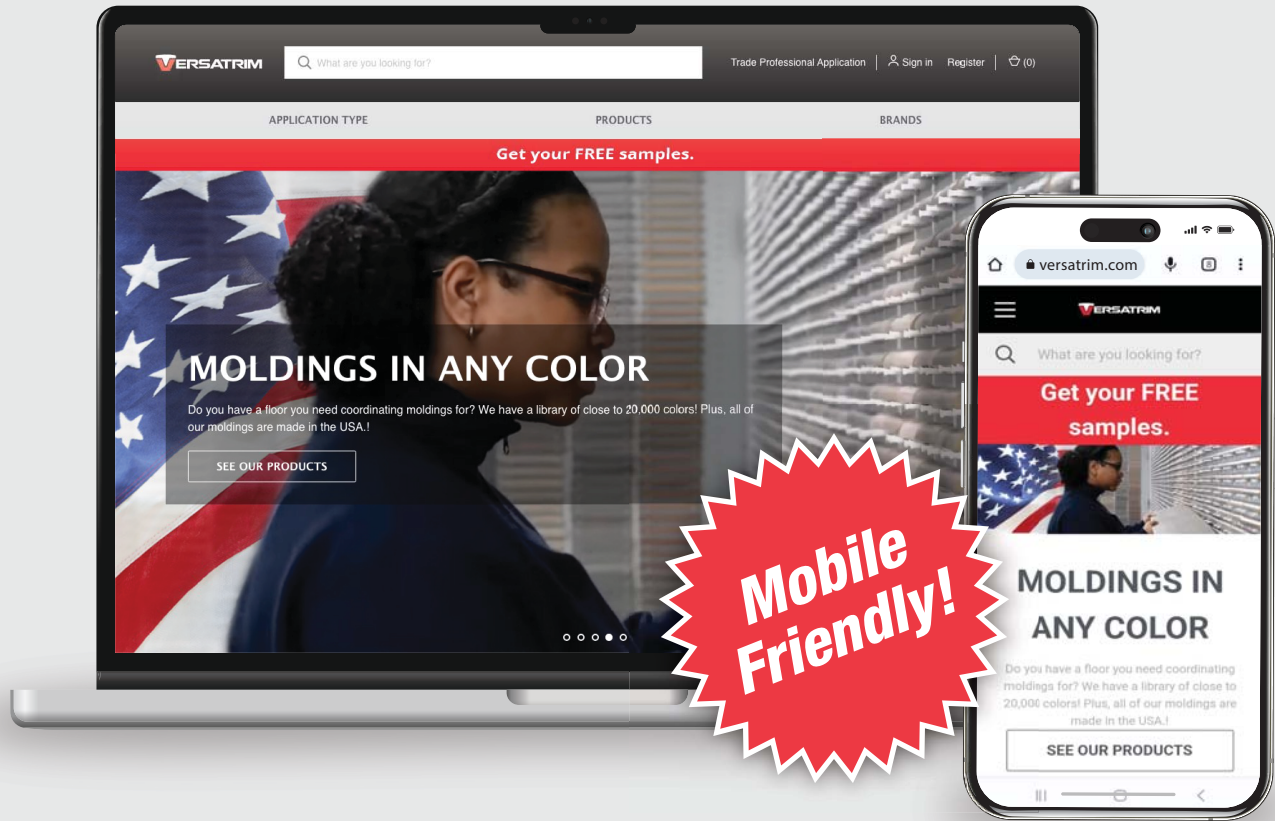
		1 Blade
	10-Inch Carbide Tipped ATB Saw Blade, 80-Tooth*****	

*****Free Standard Shipping for blades.

Terms: Our Credit Application form is available at versatrim.com/how-to-order.
Pricing Subject to Change / Cancellation Fee Could Apply

HOW TO ORDER
PRODUCT HIGHLIGHTS
PRODUCTS
APPLICATIONS
MARKETING ASSISTANCE
SHIPPING INFORMATION
PRICING

EXPERIENCE the Versatrim Difference With Our **NEW ONLINE STORE!**



Quick Ship Items & No Minimums!

Versatrim.com

SHOP NOW!



1.866.200.8132

Versatrim LLC, 101 Eastern Minerals Road, Henderson, NC 27537 USA • versatrim.com • sales@versatrim.com

Versatrim, an award-winning leader in the flooring industry located just outside Raleigh, NC, distinguishes itself through its comprehensive line of custom-coordinated floor moldings and trims tailored for laminate and vinyl flooring. Versatrim's innovative approach to molding solutions, coupled with its expert coordination with the latest color trends in the vinyl, LVT, WPC, SPC, and laminate flooring sectors, has propelled the company to the forefront as a premier manufacturer of floor moldings and accessories.

Follow Us:



1200-3/24-NP

© 2024 Versatrim, LLC. All rights reserved.

NP